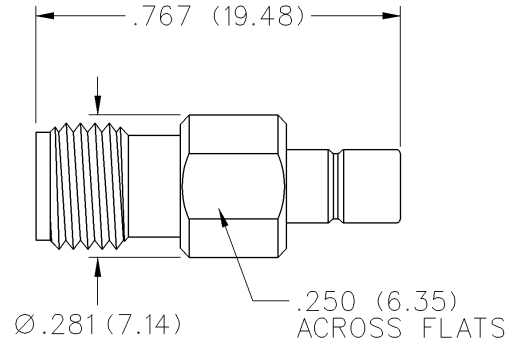


Between Series Adapter SMA Jack to SMB Jack



VSWR & FREQUENCY RANGE	GOLD PLATED
1.05 + .01f (GHz) 0-4 GHz	134-1012-031